



BEAM, HYPERCOATER AND HYPERLAMINATOR

HIP-MITSU, an Italian company headquartered 15 minutes from the international Venice and Treviso airports, is one of the most qualified producers of *web-coating and laminating equipment*, in which field it has operated in for many years.

Specialisation and steady research

In particular, the high specialisation in the production of coating heads and the steady research in the product innovation are well testified by many international patents belonging to the company.

Reduced times and costs

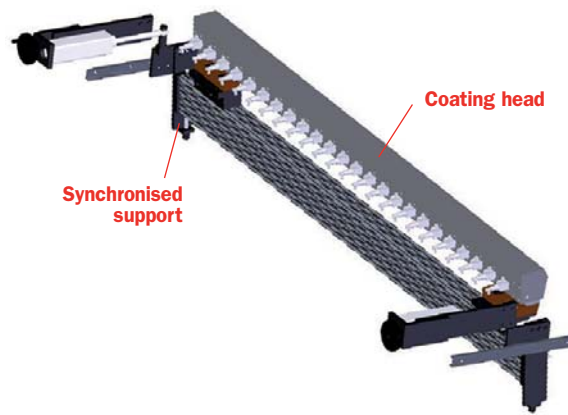
From the work of retrofit offered by HIP-MITSU, the end user can transfer to its own production *well-tested solutions*, availing itself of a team of specialists and *reducing times and costs for the system integration*.

HIP-MITSU support – BEAM model

All HIP-MITSU coating heads can be supplied on BEAM model dedicated stands.

Complete synchronisation with the main line

HIP-MITSU stands model BEAM are equipped with high precision independent mechanical registers and with all devices and electrical checks for the execution of the coating/laminating and auxiliary operations and include a stand-by and working position, which can be synchronised with the main line.



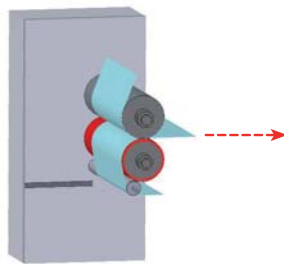
Working and maintenance position

HIP-MITSU stands model BEAM provide a maintenance position enabling an easy access to the coating heads without moving them from the main line.

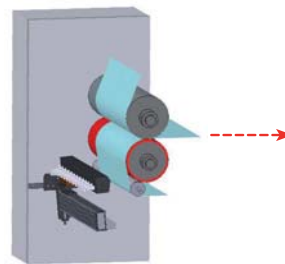
Simple installation in few hours

Axial and angular regulations enable always a perfect adaptability to the systems onto which they must be positioned.

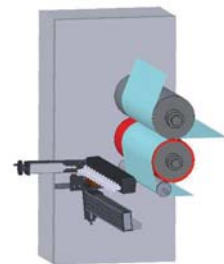
All that enables a quick and non-intrusive installation, reducing the machine standstill to few hours.



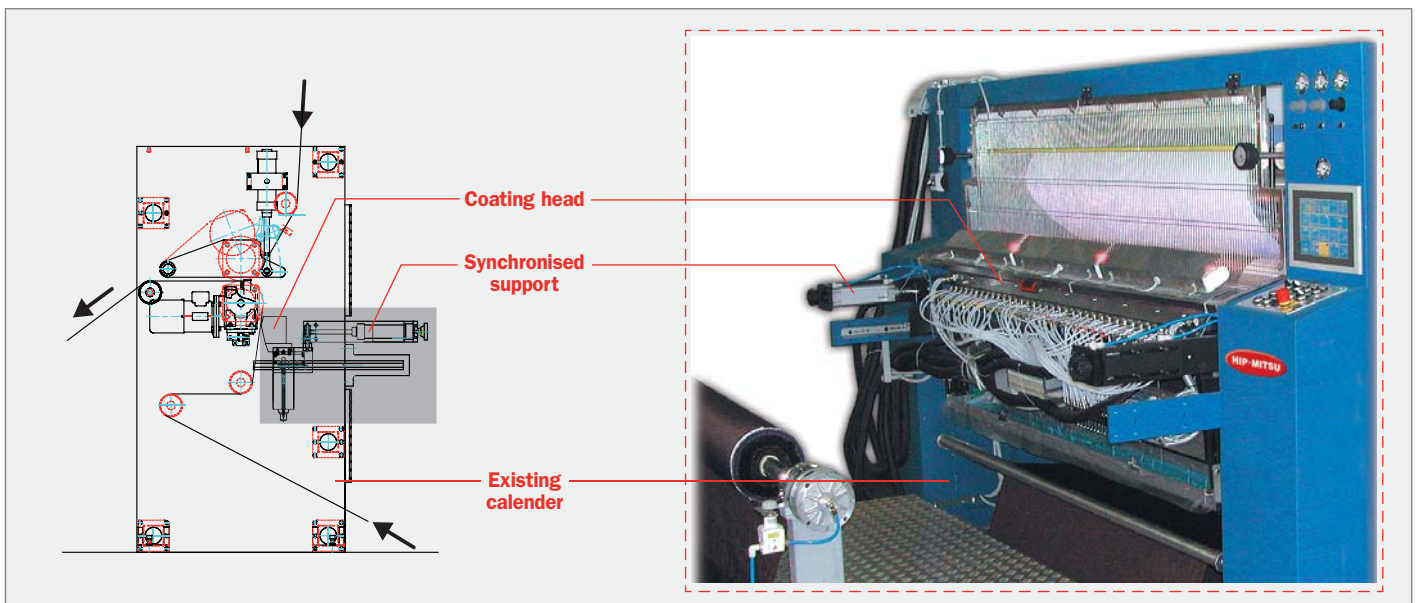
1 Guide fixing to the shoulders of the existing line (3 bolts each side)



2 Beam placement on the guides



3 Fixing of the pneumatic cylinders to shoulders (4 bolts each side) - Connection of the pneumatic cylinder to beam (1 bolt each side) - Start production



“Hyper-Coater” and “Hyper-Laminator”

HIP-MITSU also supplies its coating heads integrated in the “Hyper-Coater” and “Hyper-Laminator” systems, customised each time both on existing lines and on new lines, in order to integrate the system on the existing line according to the materials to be processed.

Options: a complete range

According to the materials to be processed and to the line where they will be installed, following options can be used:

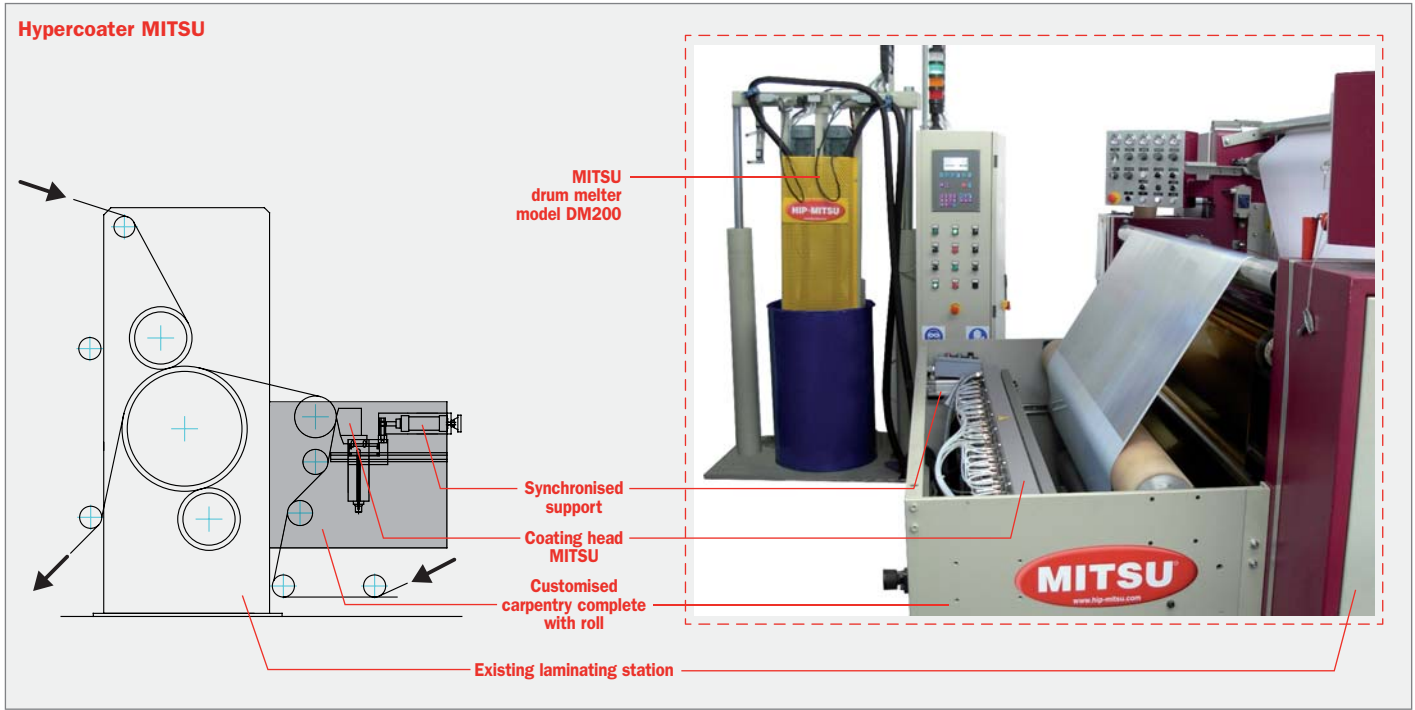
- one or more motors
- motors/board mounted left or right
- cooled or heated rolls
- independent tension control
- UV
- chill roll

Performances:

application range

HIP-MITSU produces the “Hyper-Coater” and “Hyper-Laminator” systems with the following performances:

- min. width: 100 mm
- max. width: 3.600 mm



“Hyper-Coater”: schemes and use

HIP-MITSU “Hyper-Coaters” can be produced with the slot die placed in any position; a brief example is represented here of two standard solutions, obviously not exhaustive.

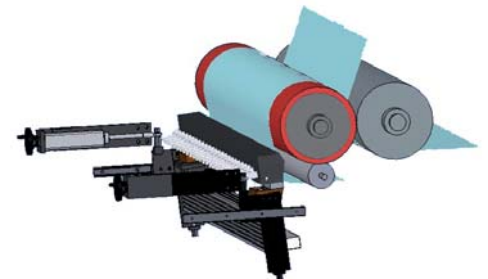
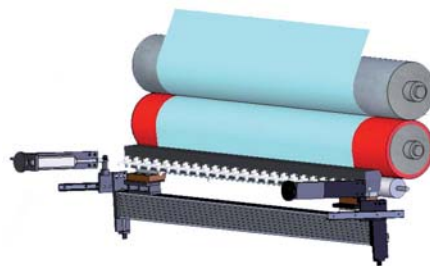
“Hyper-Laminator”: schemes and use

HIP-MITSU “Hyper-Laminator” can be produced with horizontal or vertical opposed calendaring rolls.

“Hyper-Coater”



“Hyper-Laminator”



HIP-MITSU

add value to your production

HEAD OFFICE

I - 31027 SPRESIANO (TV) Italy - Via A. Volta, 1

Tel. + 39 0422 887.566 r.a. - Fax + 39 0422 887.337 - <http://www.hip-mitsu.com> e-mail: info@hip-mitsu.com